



## **WEIDER** RF Series Lever Furniture

**International  
Patent  
Registered**



### **GUARANTEE**

The **WEIDER** RF Series Lever Furniture are guaranteed **2 years** from date of manufacture against any defects in material or workmanship. Defective products will be replaced with a new unit; but no claims for damage incurred or work done thereon will be allowed. This guarantee is void if the product has been subjected to misapplication or abuse.



Weider Metal Inc. reserves the right to make product changes and is not responsible for obsolete template errors. To ensure your template is current, please visit our website at [www.weidermetal.com](http://www.weidermetal.com) or email our sales representatives.

© 2015 Weider Metal Inc. All rights reserved.  
**WEIDER METAL AUSTRALIA. WEIDER METAL INC.**



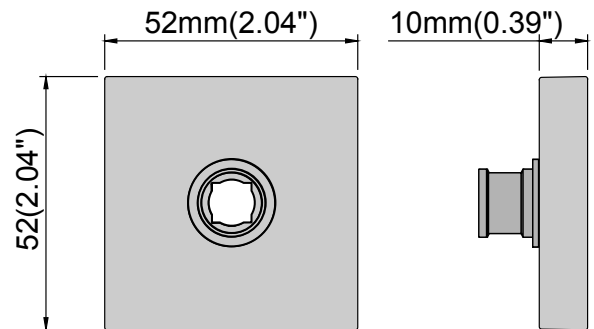


# WEIDER RF Series Lever Furniture

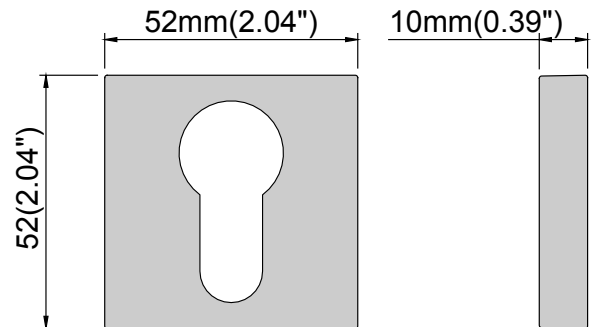
**International  
Patent  
Registered**



SQ-52x52-RM



SQ-52x52-PZ-RM



## GUARANTEE

The **WEIDER** RF Series Lever Furniture are guaranteed **2 years** from date of manufacture against any defects in material or workmanship. Defective products will be replaced with a new unit; but no claims for damage incurred or work done thereon will be allowed. This guarantee is void if the product has been subjected to misapplication or abuse.



Weider Metal Inc. reserves the right to make product changes and is not responsible for obsolete template errors. To ensure your template is current, please visit our website at [www.weidermetal.com](http://www.weidermetal.com) or email our sales representatives.

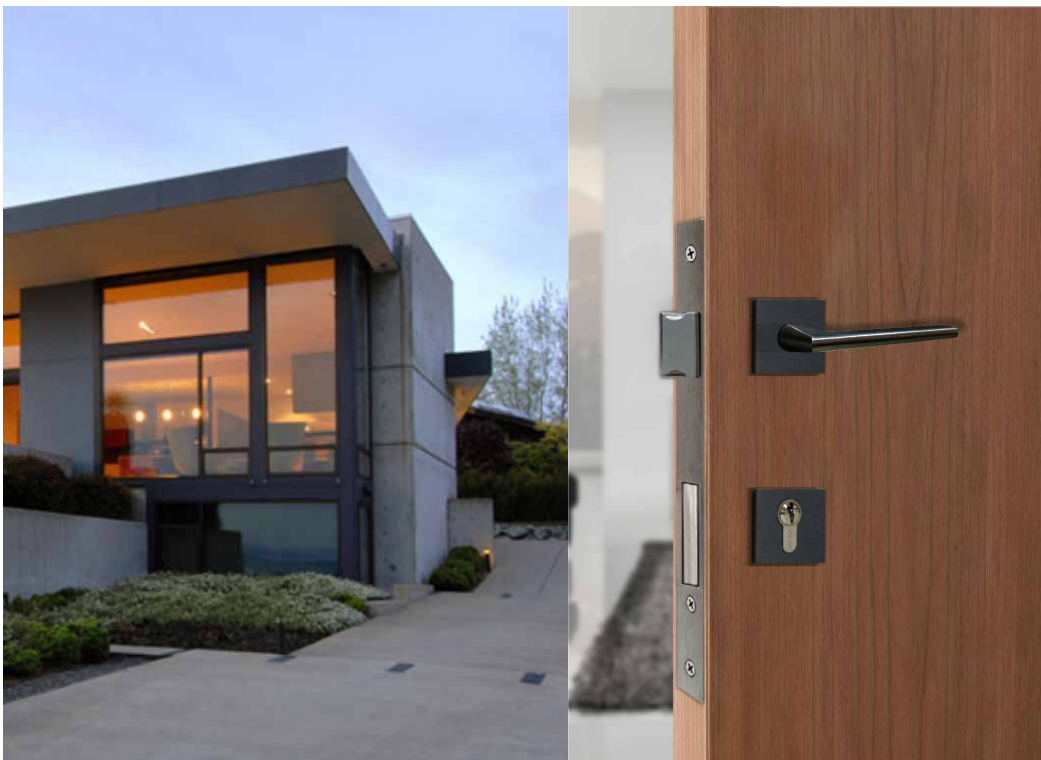
© 2015 Weider Metal Inc. All rights reserved.  
**WEIDER METAL AUSTRALIA. WEIDER METAL INC.**





# **WEIDER** RF Series Lever Furniture

**International  
Patent  
Registered**



## **GUARANTEE**

The **WEIDER** RF Series Lever Furniture are guaranteed **2 years** from date of manufacture against any defects in material or workmanship. Defective products will be replaced with a new unit; but no claims for damage incurred or work done thereon will be allowed. This guarantee is void if the product has been subjected to misapplication or abuse.



Weider Metal Inc. reserves the right to make product changes and is not responsible for obsolete template errors. To ensure your template is current, please visit our website at [www.weidermetal.com](http://www.weidermetal.com) or email our sales representatives.

© 2015 Weider Metal Inc. All rights reserved.  
**WEIDER METAL AUSTRALIA. WEIDER METAL INC.**



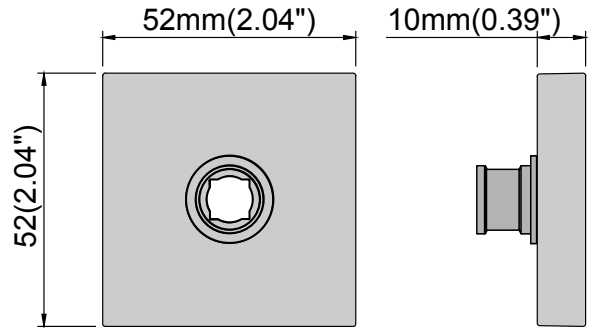


# WEIDER RF Series Lever Furniture

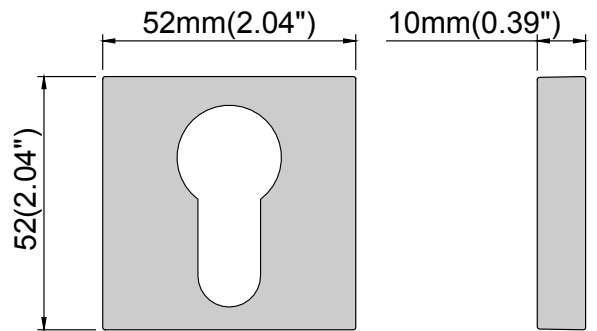
**International Patent Registered**



SQ-52-RM



SQ-52-PZ-RM



SSS



TBA



RM



MBLK



RM-TMB

## GUARANTEE

The **WEIDER** RF Series Lever Furniture are guaranteed **2 years** from date of manufacture against any defects in material or workmanship. Defective products will be replaced with a new unit; but no claims for damage incurred or work done thereon will be allowed. This guarantee is void if the product has been subjected to misapplication or abuse.



Weider Metal Inc. reserves the right to make product changes and is not responsible for obsolete template errors. To ensure your template is current, please visit our website at [www.weidermetal.com](http://www.weidermetal.com) or email our sales representatives.

© 2015 Weider Metal Inc. All rights reserved.  
**WEIDER METAL AUSTRALIA. WEIDER METAL INC.**

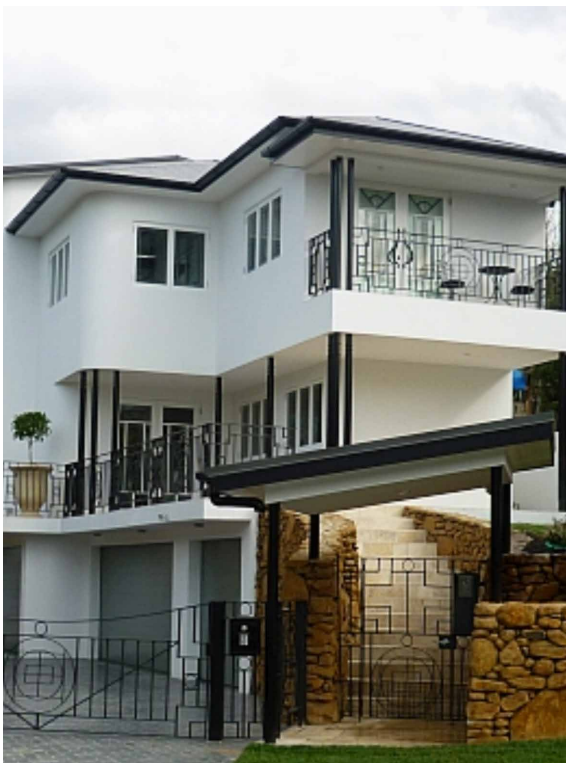






# **WEIDER** RF Series Lever Furniture

**International  
Patent  
Registered**



## **GUARANTEE**

The **WEIDER** RF Series Lever Furniture are guaranteed **2 years** from date of manufacture against any defects in material or workmanship. Defective products will be replaced with a new unit; but no claims for damage incurred or work done thereon will be allowed. This guarantee is void if the product has been subjected to misapplication or abuse.



Weider Metal Inc. reserves the right to make product changes and is not responsible for obsolete template errors. To ensure your template is current, please visit our website at [www.weidermetal.com](http://www.weidermetal.com) or email our sales representatives.

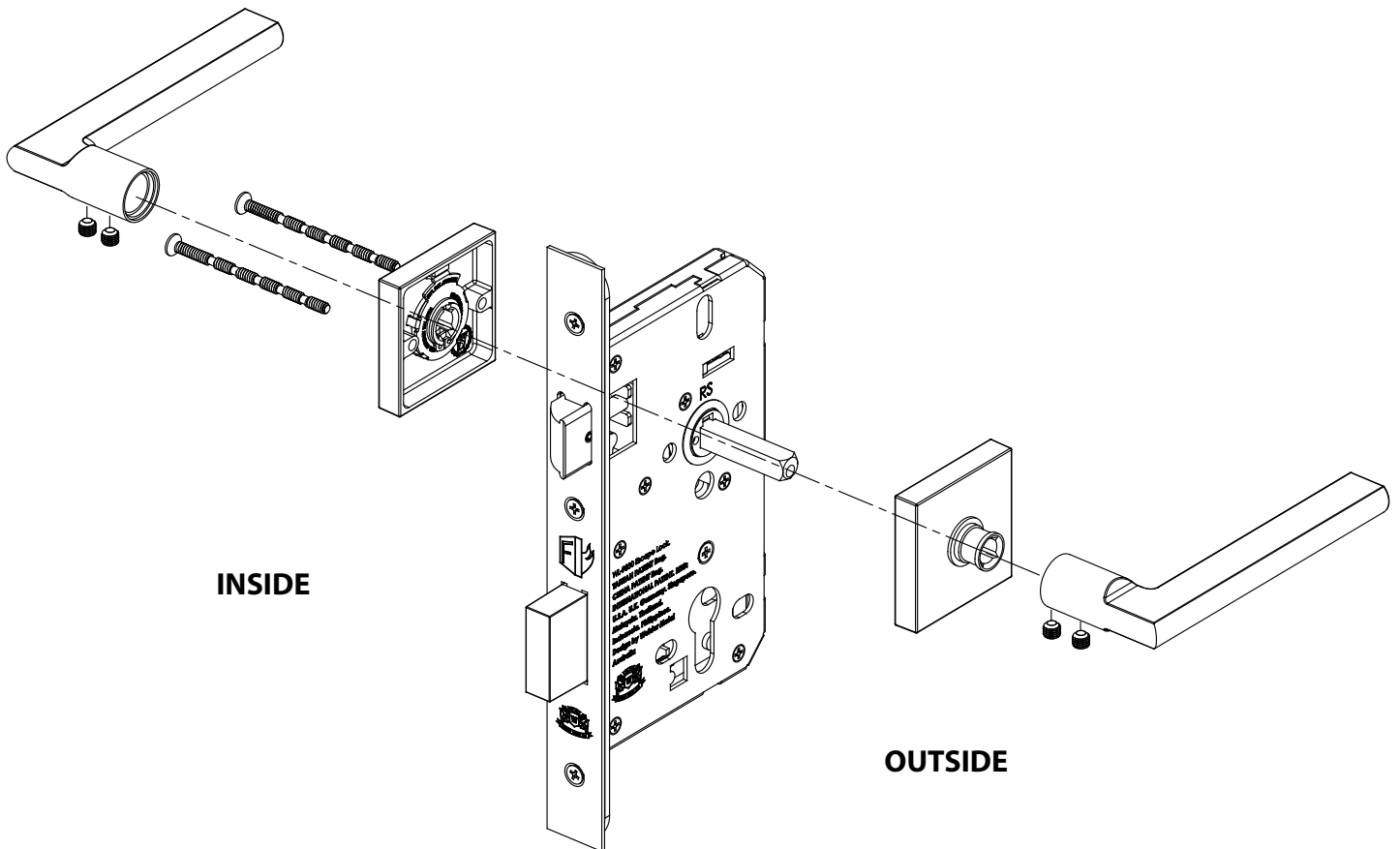
© 2015 Weider Metal Inc. All rights reserved.  
**WEIDER METAL AUSTRALIA. WEIDER METAL INC.**





# WEIDER RF Series Lever Furniture

**International  
Patent  
Registered**



## GUARANTEE

The **WEIDER** RF Series Lever Furniture are guaranteed **2 years** from date of manufacture against any defects in material or workmanship. Defective products will be replaced with a new unit; but no claims for damage incurred or work done thereon will be allowed. This guarantee is void if the product has been subjected to misapplication or abuse.



Weider Metal Inc. reserves the right to make product changes and is not responsible for obsolete template errors. To ensure your template is current, please visit our website at [www.weidermetal.com](http://www.weidermetal.com) or email our sales representatives.

© 2015 Weider Metal Inc. All rights reserved.  
**WEIDER METAL AUSTRALIA. WEIDER METAL INC.**

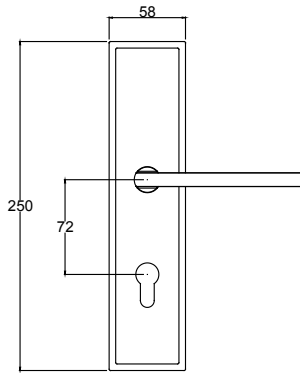




## WEIDER RF Series Lever Furniture SLP-58x250-RM

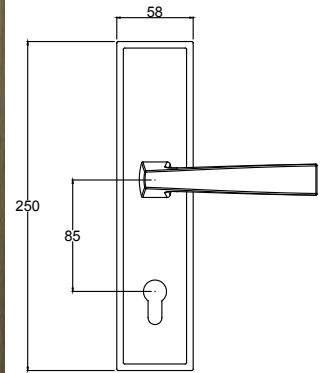
International Patent Registered

### SLP-58x250-DIN-RM-BLK



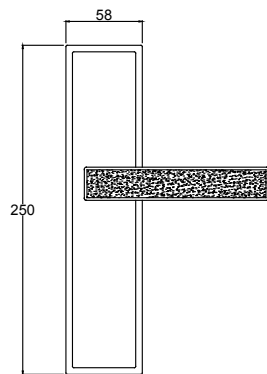
\*SUITABLE FOR GERMAN MORTICE C:C72MM

### SLP-58x250-ITY-RM-BLK



\*SUITABLE FOR ITALIAN MORTICE C:C85MM

### SLP-58x250-DUMMY-RM-BLK



| Lever Handle Selection | Material | Finish | Article    |
|------------------------|----------|--------|------------|
|                        | SUS      | MBK    | SLM 587 RM |
|                        | SUS      | MBK    | SLM 591    |
|                        | SUS      | MBK    | SLM 883    |
|                        | SUS      | MBK    | SLM 887    |
|                        | SUS      | MBK    | SLM 987    |



Design by Weider Metal Australia



Weider Metal Inc. reserves the right to make product changes and is not responsible for obsolete template errors. To ensure your template is current, please visit our website at [www.weidermetal.com](http://www.weidermetal.com) or email our sales representatives.

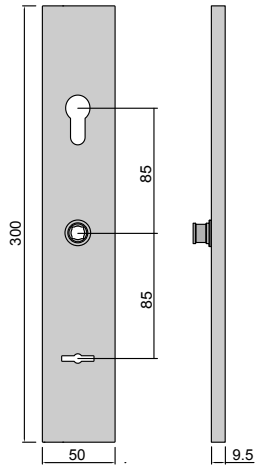
© 2015 Weider Metal Inc. All rights reserved.  
WEIDER METAL AUSTRALIA. WEIDER METAL INC.



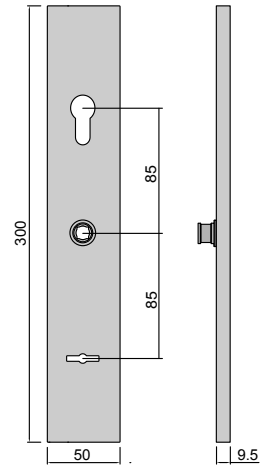
**WEIDER SLP-50x300-CSA**

International Patent Registered

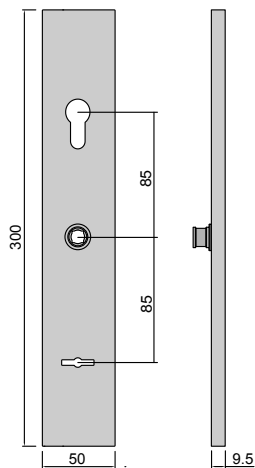
**SLP-50x300-CSA-BLK**



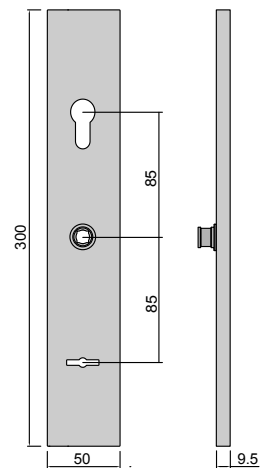
**SLP-50x300-CSA**



**SLP-50x300-CSA-BLK**



**SLP-50x300-CSA**



Design by Weider Metal Australia



Weider Metal Inc. reserves the right to make product changes and is not responsible for obsolete template errors. To ensure your template is current, please visit our website at [www.weidermetal.com](http://www.weidermetal.com) or email our sales representatives.

© 2015 Weider Metal Inc. All rights reserved.  
WEIDER METAL AUSTRALIA. WEIDER METAL INC.



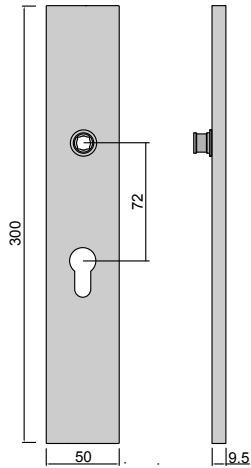




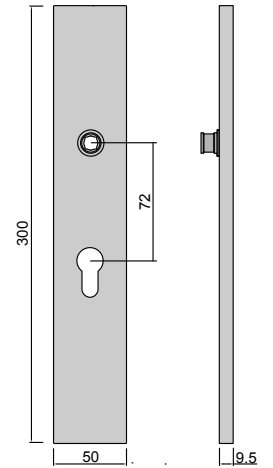
# WEIDER SLP-50x300-DIN

International Patent Registered

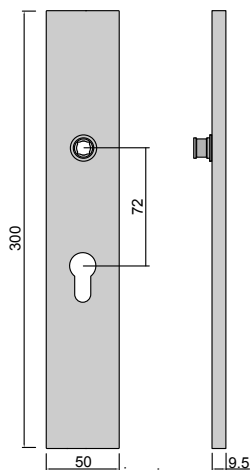
## SLP-50x300-DIN-BLK



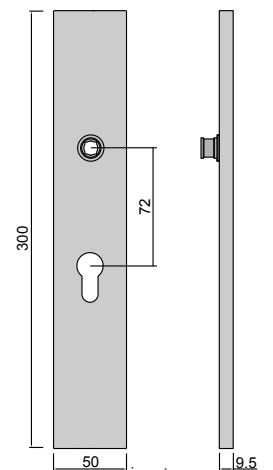
## SLP-50x300-DIN



## SLP-50x300-DIN-BLK



## SLP-50x300-DIN



Design by Weider Metal Australia



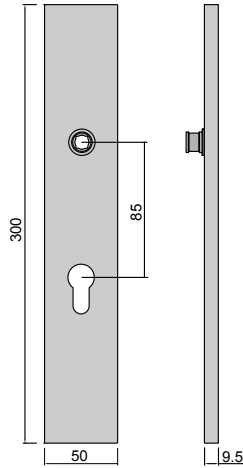
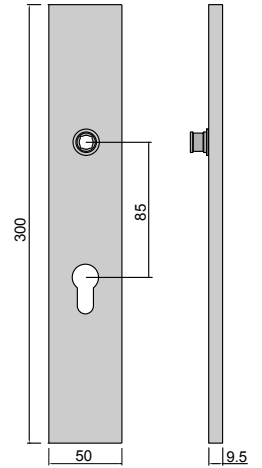
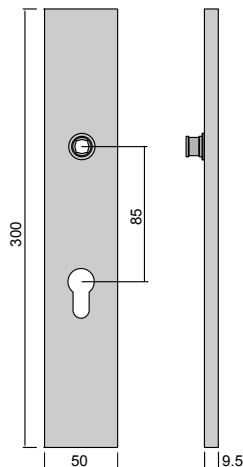
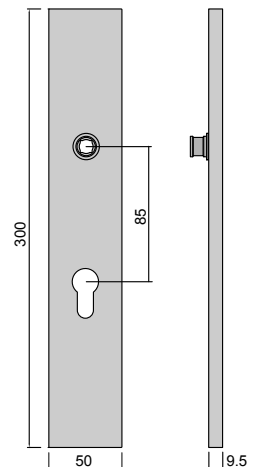
Weider Metal Inc. reserves the right to make product changes and is not responsible for obsolete template errors. To ensure your template is current, please visit our website at [www.weidermetal.com](http://www.weidermetal.com) or email our sales representatives.

© 2015 Weider Metal Inc. All rights reserved.  
WEIDER METAL AUSTRALIA. WEIDER METAL INC.



**WEIDER SLP-50x300-ITY**

International Patent Registered

**SLP-50x300-ITY-BLK****SLP-50x300-ITY****SLP-50x300-ITY-BLK****SLP-50x300-ITY**

Design by Weider Metal Australia



Weider Metal Inc. reserves the right to make product changes and is not responsible for obsolete template errors. To ensure your template is current, please visit our website at [www.weidermetal.com](http://www.weidermetal.com) or email our sales representatives.

© 2015 Weider Metal Inc. All rights reserved.  
WEIDER METAL AUSTRALIA. WEIDER METAL INC.

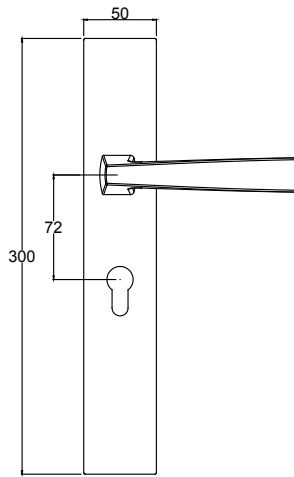




## WEIDER SLP-50x300

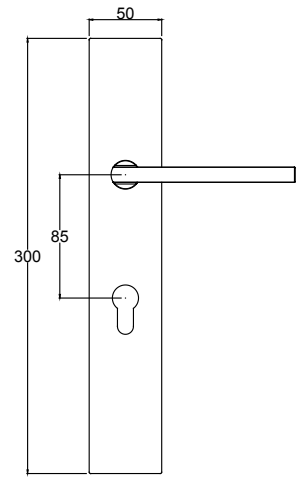
International Patent Registered

### SLP-50x300-DIN-BLK



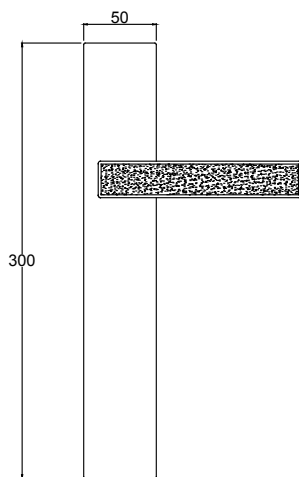
\*SUITABLE FOR GERMAN MORTICE C:C72MM

### SLP-50x300-ITY-BLK



\*SUITABLE FOR ITALIAN MORTICE C:C85MM

### SLP-50x300-DUMMY-BLK



| Lever Handle Selection | Material | Finish | Article    |
|------------------------|----------|--------|------------|
|                        | SUS      | MBK    | SLM 587 RM |
|                        | SUS      | MBK    | SLM 591    |
|                        | SUS      | MBK    | SLM 883    |
|                        | SUS      | MBK    | SLM 887    |
|                        | SUS      | MBK    | SLM 987    |



DANWELL FAR EAST INC.



Design by Weider Metal Australia



Weider Metal Inc. reserves the right to make product changes and is not responsible for obsolete template errors. To ensure your template is current, please visit our website at [www.weidermetal.com](http://www.weidermetal.com) or email our sales representatives.

© 2015 Weider Metal Inc. All rights reserved.  
WEIDER METAL AUSTRALIA. WEIDER METAL INC.

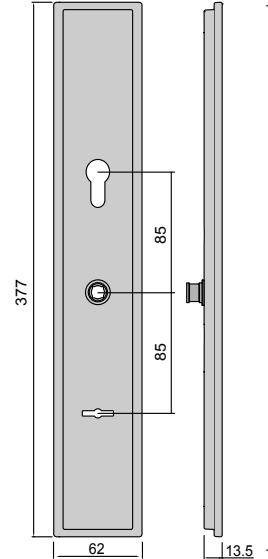
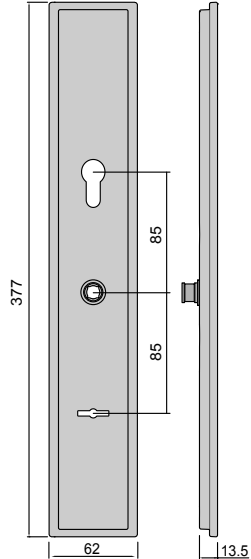


# WEIDER RF Series Lever Furniture SLP-62x377-CSA-RM

International Patent Registered

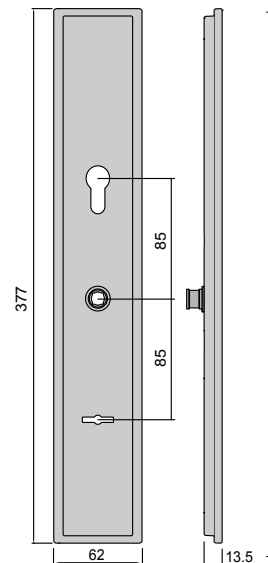
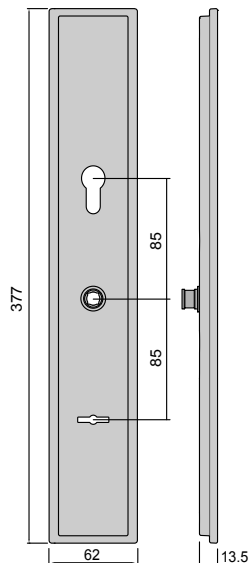
## SLP-62x377-CSA-RM-BLK

## SLP-62x377-CSA-RM-BLK



## SLP-62x377-CSA-RM-BLK

## SLP-62x377-CSA-RM-BLK



Design by Weider Metal Australia



Weider Metal Inc. reserves the right to make product changes and is not responsible for obsolete template errors. To ensure your template is current, please visit our website at [www.weidermetal.com](http://www.weidermetal.com) or email our sales representatives.

© 2015 Weider Metal Inc. All rights reserved.  
WEIDER METAL AUSTRALIA. WEIDER METAL INC.





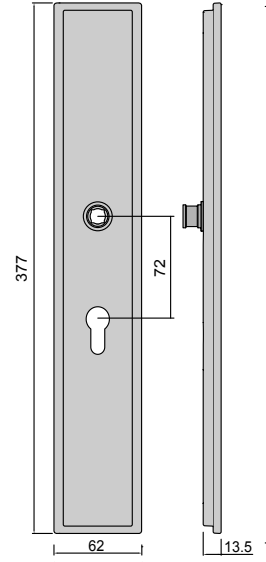
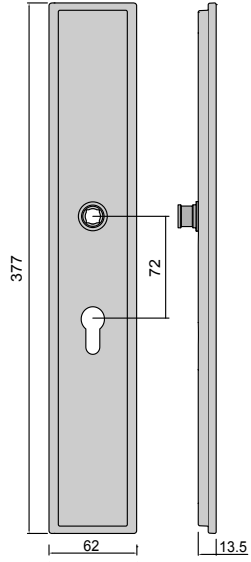


# WEIDER RF Series Lever Furniture SLP-62x377-DIN-RM

International Patent Registered

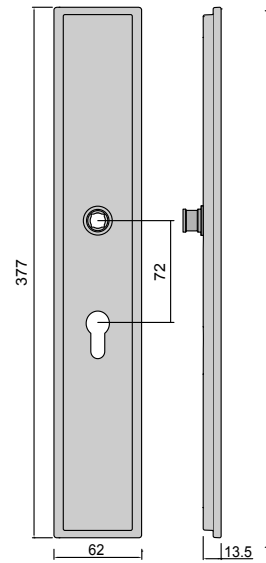
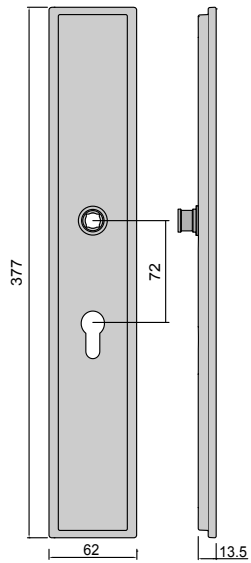
## SLP-62x377-DIN-RM-BLK

## SLP-62x377-DIN-RM-BLK



## SLP-62x377-DIN-RM-BLK

## SLP-62x377-DIN-RM-BLK



Design by Weider Metal Australia



Weider Metal Inc. reserves the right to make product changes and is not responsible for obsolete template errors. To ensure your template is current, please visit our website at [www.weidermetal.com](http://www.weidermetal.com) or email our sales representatives.

© 2015 Weider Metal Inc. All rights reserved.  
WEIDER METAL AUSTRALIA. WEIDER METAL INC.

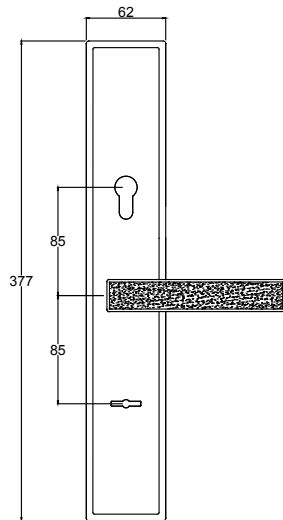




## WEIDER RF Series Lever Furniture SLP-62x377-RM

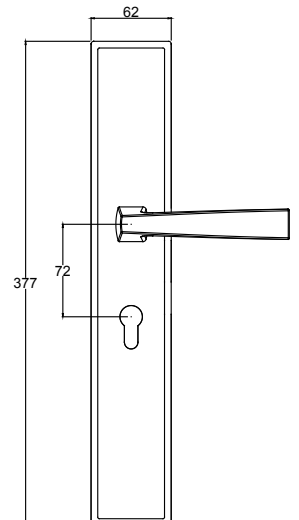
International Patent Registered

### SLP-62x377-CSA-RM-BLK



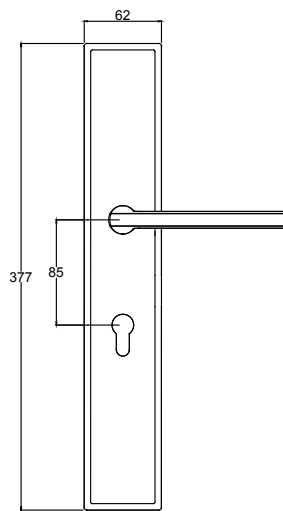
\*SUITABLE FOR ITALIAN MORTICE C:C85MM

### SLP-62x377-DIN-RM-BLK



\*SUITABLE FOR GERMAN MORTICE C:C72MM

### SLP-62x377-ITY-RM-BLK



\*SUITABLE FOR ITALIAN MORTICE C:C85MM

| Lever Handle Selection | Material | Finish | Article    |
|------------------------|----------|--------|------------|
|                        | SUS      | MBK    | SLM 587 RM |
|                        | SUS      | MBK    | SLM 591    |
|                        | SUS      | MBK    | SLM 883    |
|                        | SUS      | MBK    | SLM 887    |
|                        | SUS      | MBK    | SLM 987    |



Design by Weider Metal Australia



Weider Metal Inc. reserves the right to make product changes and is not responsible for obsolete template errors. To ensure your template is current, please visit our website at [www.weidermetal.com](http://www.weidermetal.com) or email our sales representatives.

© 2015 Weider Metal Inc. All rights reserved.  
WEIDER METAL AUSTRALIA. WEIDER METAL INC.

